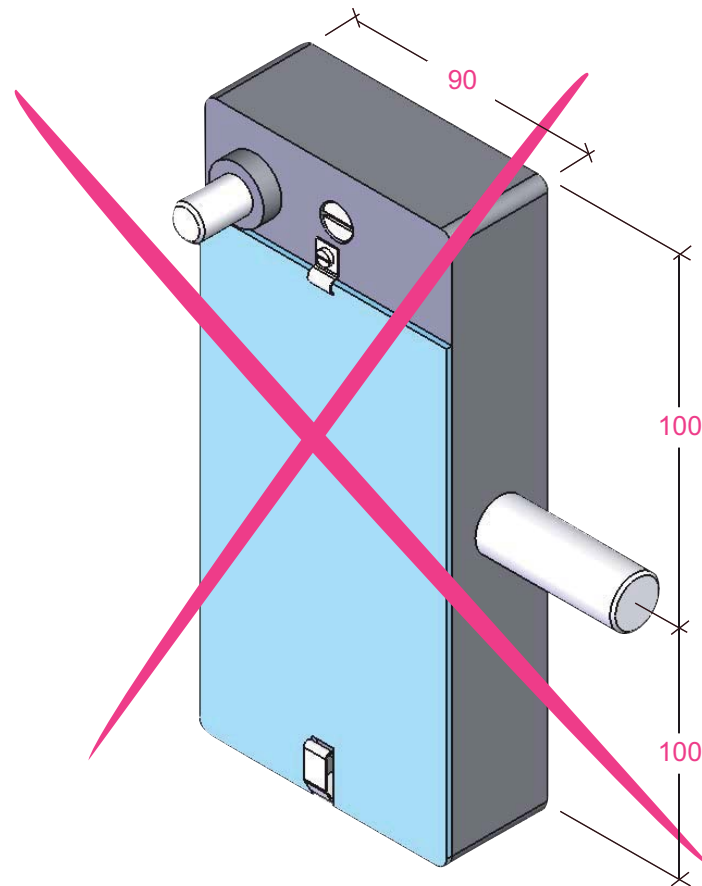


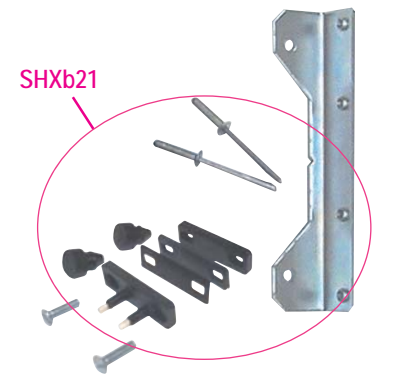
To replace :

Lock Buehl ER/Schaffhouse (model TS75)

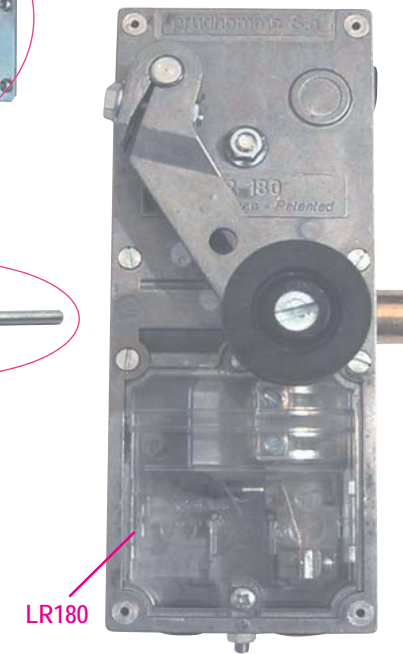


Substitution :

**LR 180 \*\* TS75** prudhomme S.a

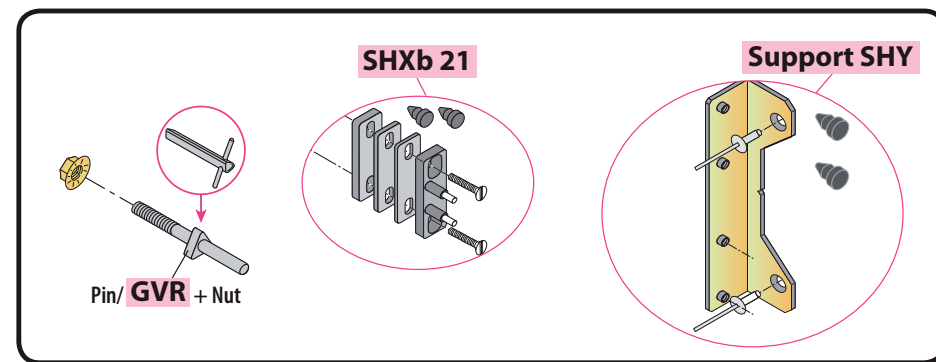
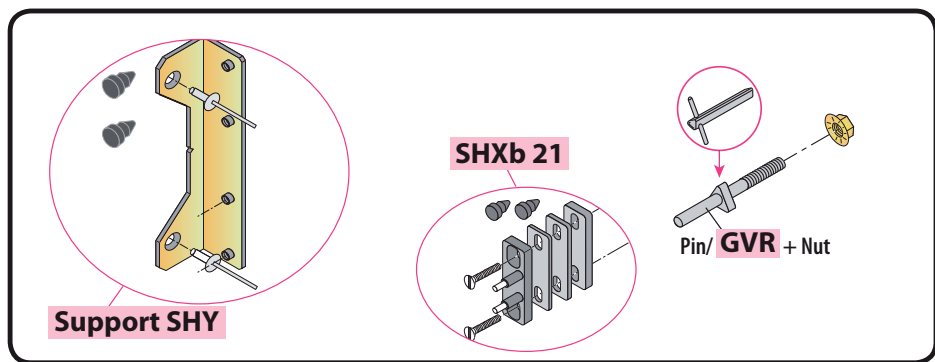
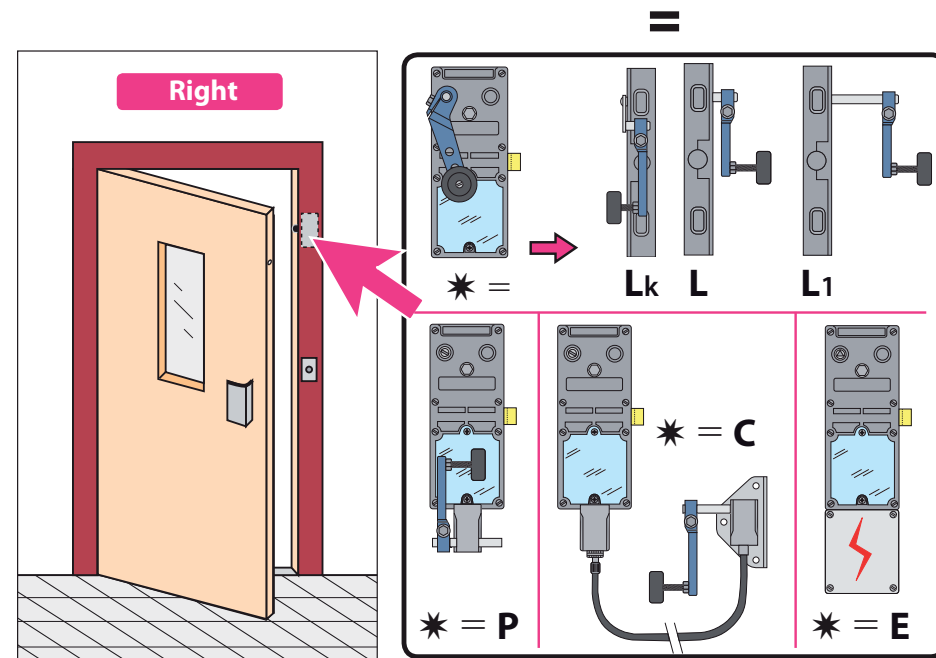
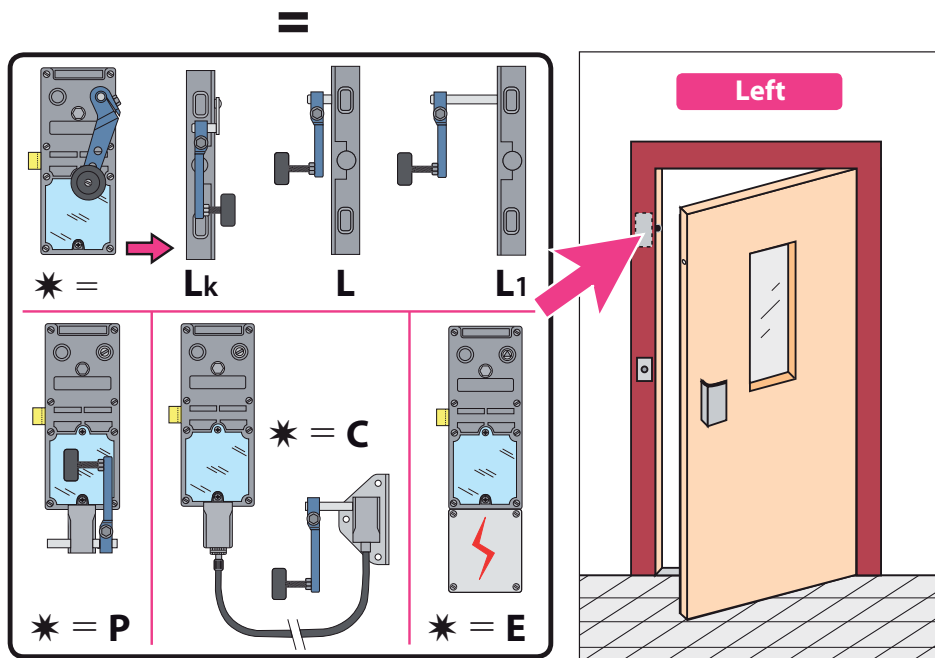


Optional :  
CP/TS75 (drilling gauge)  
CP/DV (drilling gauge)



ref.:LR180 \* **G** TS75

ref.:LR180 \* **D** TS75



## Mounting stages

